

Semi-Auto Pallet Strapping Machine for Horizontal Applications

Ergonomic and economic solution for horizontal low volume pallet strapping

TP-202MH Mini Hori

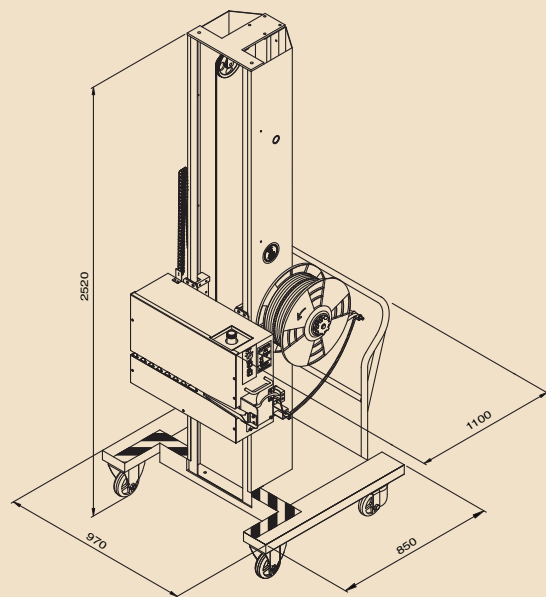


Main Features:

- ▶ **Various applications**
Suitable for fruit & vegetable boxes, concrete blocks, and pallet loaded with cardboard boxes.
- ▶ **Adjustable Strapping Height**
The strapping height is quickly and effortlessly adjustable. Allow to strap 19 cm from the floor up to 200 cm.
- ▶ **Control Panel on both sides**
With the control panel on both sides of the machine, it is easy for operation.
- ▶ **Easy to Change the Coil**
The position of strap dispenser is ergonomic design. It's convenient and energy-saving to change the coil of PP strap.
- ▶ **Mobility**
With big wheels with high mobility, it is easy to move around.

Option

- ▶ Battery power supply (TP-202MHB)



TP-202MH TECHNICAL DATA

Strap Type: PP strap
Strap Width: 9 mm-15.5 mm
Strap Tension: 15 kg-45 kg
Net Weight: 260 kg
Power: 110V, 220V, 230V 50/60Hz 1PH

All specifications are subject to change without notice.

SEMI-AUTO PALLET STRAPPING MACHINE

These semi-auto mobile pallet strapping machines eliminate the use of manual tools and dispenser. They can be easily moved beside the load you want to strap without moving the stacked pallet. They provide cost-effective solutions for low volume pallet strapping applications. In this category, we have three models as follows:

- Vertical machine Magic TP-601MV
- Vertical machine Mini Verti TP-202MV
- Horizontal machine Mini Hori TP-202MH



Semi-Auto Pallet Strapping Machine for Vertical Applications

Quick, ergonomic and economic solution for vertical pallet strapping

TP-601MV Magic



Main Features:



Patented Telescoped Gripper Track

To reduce floor space and chance of damage, the patented “Telescoped Gripper Track” automatically retracts inside the machine frame entirely when strapping cycle is complete.

Patent No.: US 6,994,019 B1
DE 20 2004 016 641.0



Electronic Tension Control

External adjustment of strap tension by the simple turn of a dial.



Friction Weld Sealing

Friction weld sealing guarantees reliable joint and high seal efficiency for both PP and PET straps.

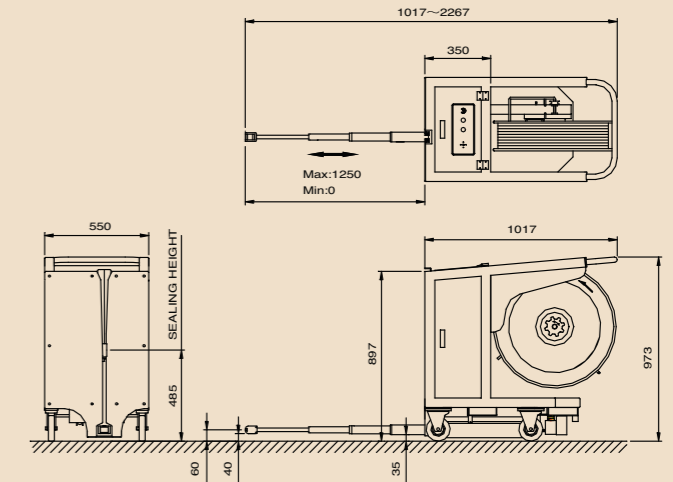
TP-601MV TECHNICAL DATA

Strap Type: PP & PET straps
Strap Width: 9 mm-15.5 mm
Strap Tension: 20 kg-150 kg
(depends on strap quality and thickness)
Net Weight: 175 kg
Power: 110V, 220V, 230V 50/60Hz 1PH

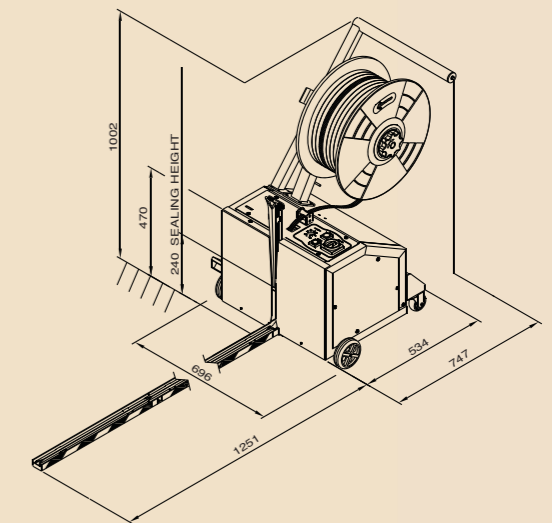
More Features:

- ▶ **Dispenser with 406 mm core size**
200 mm and 280 mm core as option
- ▶ **Weld-Cooling Timer**
The weld cooling time may be increased to ensure high joint efficiency seals even under high tension.
- ▶ **Error Message Indicator**
Provides easy trouble-shooting.
User friendly.

(TP-601MV)



TP-202MV Mini Verti



Main Features:

- ▶ **Mobility**
With light weight and compact size, it is easy to move beside the pallet you want to strap.
- ▶ **Good for lower height pallet**
Enable to strap pallet with height as low as 280 mm
- ▶ **Easy strap feeding**
Handle with feeding switch, convenient for users to feed the strap to the required length.
User friendly.

Option

- ▶ Battery power supply (TP-202MVB)

TP-202MV TECHNICAL DATA

Strap Type: PP strap
Strap Width: 9 mm-15.5 mm
Strap Tension: 15 kg-45 kg
Net Weight: 90 kg
Power: 110V, 220V, 230V 50/60Hz 1PH