

Side-Seal Semi-Auto Strapping Machine

P.P. Straps Solution

TP-201Y Series

The TP-201Y series machines are Side-Seal semi-auto strapping machines. The strapping head is mounted on the side of the machine frame to protect it from dust and water. Great for dirty, moist, or harsh working environment.

TP-201YS



15F-1, NO. 17, SEC. 1, CHENGDE ROAD, TAIPEI 103, TAIWAN
TEL: 886 2 2555 2515
FAX: 886 2 2555 2516
WEB: www.transpakcorp.com
E-mail: transpak@transpak.com.tw

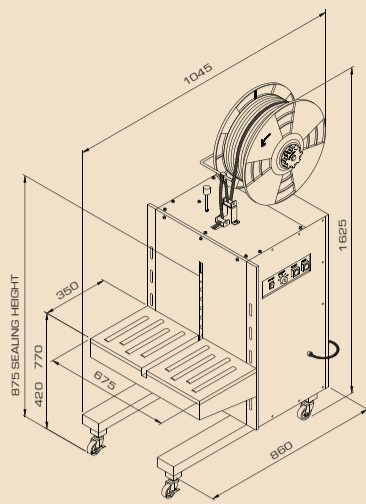
Made in Taiwan 10.2009x2000

TP-201YS

- Stainless steel frame SUS 304
- Ideal for moist strapping environment, such as meat, fish, poultry and agricultural processing plants.
- Adjustable table height between 420 mm and 770 mm

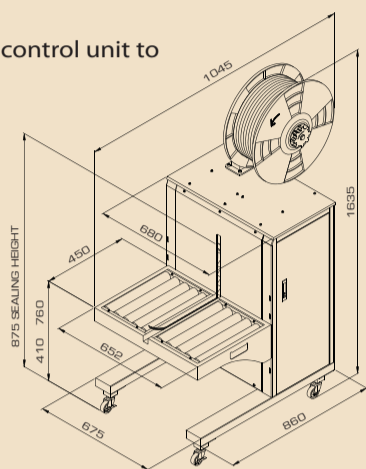
Options

- Selected parts in stainless steel
- Painted steel frame (TP-201Y): Ideal for dirty strapping environment, such as sawmill plants, brick and tile industries.



TP-201YM

- Stainless steel frame SUS 304 with rust resistant and corrosion retardant parts. IP 54 rated.
- Ideal for moist and harsh strapping environments, such as marine food, meat, and poultry industries.
- Waterproof design to protect the machine from water and wash down spray
- Special protection for the electric control unit to ensure highest safety
- Adjustable table height between 410 mm and 760 mm



Main Features:

- Offers reliability and high performance
- Suitable for low volume applications
- Low maintenance is required
- Mechanical tension control

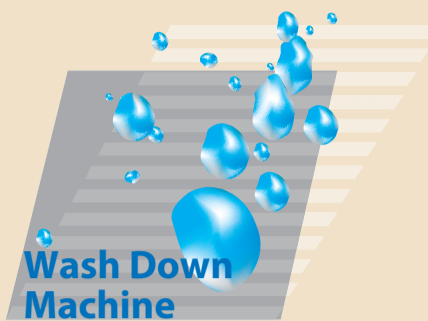
Technical Data

Strap Width: 6 mm-15.5 mm adjustable
Strap Tension: 15 kg to 45 kg
Net Weight: TP-201YS: 125 kg
TP-201YM: 126 kg
Power: 110V, 220V, 230V 50/60Hz 1PH



All specifications are subject to change without notice.

Tauris TP-601YM



With strapping head mounted on the side of the machine frame, side-seal strapping machine can protect itself from dust and water. They are applicable in most of the harsh working environment, including marine food, meat, poultry processing, sawmill, brick plants, and household appliances. Transpak has the most comprehensive range of strapping machine with side-seal design, including:

- Semi-auto side-seal machine for P.P. straps TP-201YS, TP-201YM
- Automatic side-seal machine for P.P. straps TP-601Y, TP-601YS, TP-601YM
- Fully-automatic side-seal machine for P.P. straps TP-601YA, TP-601YAS, TP-601YAM
- Automatic side-seal machine for PET and P.P. straps TP-601YPT

SIDE-SEAL STRAPPING MACHINE

Side-Seal Auto and Fully Auto Strapping Machine

P.P. and PET Straps Solution

- TP-601Y
- TP-601YS
- TP-601YM
- TP-601YA
- TP-601YAS
- TP-601YAM

The Tauris Side-Seal models are enhanced strapping machine for P.P. straps. They offers reliability and high performance. They are great for marine food, meat, poultry processing, sawmill or brick plants.

TP-601YPT

The TP-601YPT is Side-Seal automatic strapping machine for PET and P.P. straps (9-15.5mm). With extra large arch sizes, they are ideal for Household Appliances like refrigerator, television, washing machine and various palletization of packages.

Automatic



TP-601Y

- Painted steel frame
- Ideal for dirty strapping environment, such as sawmill plants, brick and tile industries



TP-601YS

- Stainless steel frame SUS 304 and selected parts in stainless steel
- Ideal for moist strapping environment, such as meat, fish, poultry and agricultural processing plants



TP-601YM

- Stainless steel frame SUS 304 with rust resistant and corrosion retardant part. IP 54 rated.
- Ideal for moist and harsh strapping environments, exclusively designed for marine food industry.
- Waterproof design to protect the machine from water and wash down spray
- Special protection for electric control unit to ensure highest safety.



Main Features:

- Auto strap feeding
- Electronic tension control
- Auto strap ejector
- Easy adjustable roller table height

Option

- Without adjustable roller table

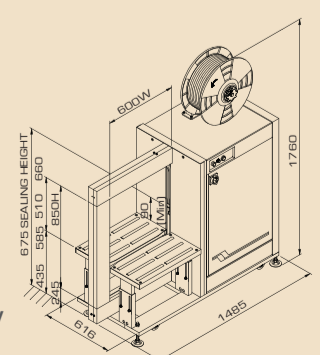
Arch Sizes

H	W	400	600	800	1000
650			Ⓢ		
850					
1050					
1250					

Ⓢ Standard size: 600 mm(W) x 850 mm(H)
• Larger arches on request

Technical Data

Strap Width: 8 mm-12 mm
Strap Tension: 7 kg to 70 kg
Speed: 29 straps/minute (60Hz)
Net Weight: 300 kg
Power: 110V, 220V, 230V, 380V, 400V
50/60Hz 1PH or 3PH



Fully-Auto



TP-601YA

- Painted steel frame
- Ideal for dirty strapping environment, such as sawmill plants, brick and tile industries



TP-601YAS

- Stainless steel frame SUS 304 and selected parts in stainless steel
- Ideal for moist strapping environment, such as meat, fish, poultry and agricultural processing plants



TP-601YAM

- Stainless steel frame SUS 304 with rust resistant and corrosion retardant part. IP 54 rated.
- Ideal for moist and harsh strapping environments, exclusively designed for marine food industry.
- Waterproof design to protect the machine from water and wash down spray
- Special protection for electric control unit to ensure highest safety.



Main Features:

- Multiple strap function for single, double, continuous strapping or transit mode
- Variable conveyor speed: 10-40 meters/minute
- Easy adjustable roller-driven table height
- Auto strap feeding
- Electronic tension control
- Auto strap ejector

Options

- Without adjustable roller table
- Siemens PLC control

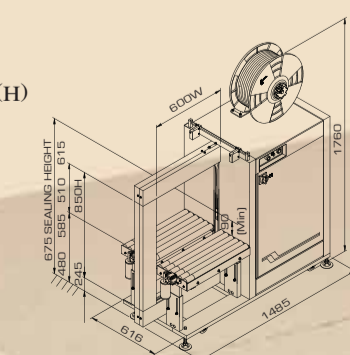
Arch Sizes

H	W	400	600	800	1000
650			Ⓢ		
850					
1050					
1250					

Ⓢ Standard size: 600 mm(W) x 850 mm(H)
• Larger arches on request

Technical Data

Strap Width: 8 mm-12 mm
Strap Tension: 7 kg to 70 kg
Speed: 18 packages/minute
Net Weight: 335 kg
Power: 220V, 380V, 400V 50/60Hz 3PH



Automatic

TP-601YPT

PET & P.P.

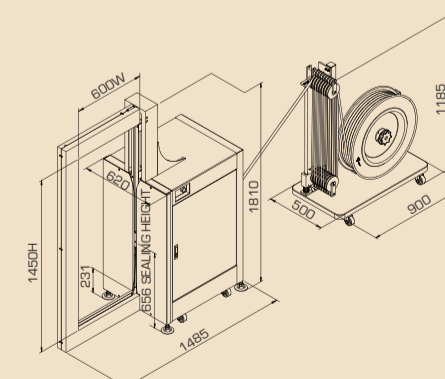


Main Features:

- Friction weld sealing guarantees high seal efficiency.
- Suitable for PET and P.P. straps. Maximum tension up to 150 kg
- Siemens PLC control
- Electronic tension control
- Auto strap refeed
- Auto strap ejector

Option

- With adjustable roller table



Arch Sizes

H	W	600	800	1000	1200	1400
850						
1050						
1250						
1450						
1650						

Ⓢ Standard arch size: 600 mm(W) x 1450 mm(H)
• Larger arches on request

Technical Data

Strap Width: 9 mm-15.5 mm
Strap Tension: 20 kg to 150kg
Speed: 11 straps/minute (60Hz)
Strap Core Size: 406 mm (200/280 mm Optional)
Net Weight: 355 kg
Power: 220V, 380V, 400V 50/60Hz 3PH