

# Atlantis Transit

High-Speed, Designed for General Purposes

## TP-701B TP-701BP (With Press)

The Atlantis series strapping machines are the simplest and most reliable strapping machines for general purposes application on the market today.



15F-1, NO. 17, SEC. 1, CHENGDE ROAD, TAIPEI 103, TAIWAN  
TEL: 886 2 2555 2515  
FAX: 886 2 2555 2516  
WEB: www.transpakcorp.com  
E-mail: transpak@transpak.com.tw

Made in Taiwan 09.2010x1000

### Main Features



#### Waist-High Auto Strap Feeding

Friendly design to feed the strap automatically from the upper side of coil without access to the bottom of the machine.



#### Electronic Tension Control

External adjustment of strap tension by the simple turn of a dial. Easy operation.



#### Auto Strap Ejector

Loop-eject clears unwanted strap automatically if the machine is accidentally activated without a package. Eliminates downtime.



#### Hinged Top Plates

Opens wide for quick cleaning, inspection, and maintenance of strapping head, strap-feed and tensioning unit.

### More Features

#### Multiple Strap Function

For single, double, continuous strapping or transit mode

#### Belt-Driven table

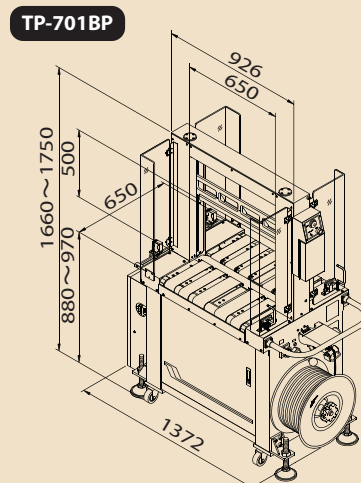
With adjustable speed between 10-60 meter/minute

#### Up and Down Stream Interlock

With complete plug connection

### Options

- Siemens PLC control
- Operator friendly low strap sensor (triple lamp)
- Lower adjustable table height (810~885 mm)



### Arch Sizes

	Width(mm)	Height(mm)
Small	550	500
Standard	650	500
Large	850	600
Extra Large	1050	800

### Atlantis Transit Technical Data

Strap Width: 5 mm, 6 mm, or 9 mm

Strap Tension: 1-35 kg

Speed: Up to 35 package per minute

Adjustable Table Height: 880 mm-970 mm

Net Weight: 284 kg for TP-701B, 315 kg for TP-701BP

Electrical Requirements: 110V, 220V, 230V 50/60Hz 1PH



All specifications are subject to change without notice.

## TP-701BP



If you are looking for a fully automatic strapping machine which offers reliability and performance, these machines deliver everything you want. All machines are equipped with Electronic Tension Control, Auto Strap Feeding, and Auto Strap Ejector. In this category, we have three product lines:

- Fully automatic machine with Roller-driven table for wide straps Tauris TP-601A
- Fully automatic machine with Belt-driven table for wide straps Tauris TP-601B, TP-601BP
- High-speed fully automatic machine for narrow straps Atlantis TP-701B, TP-701BP

# FULLY-AUTO STRAPPING MACHINE

# Tauris Transit

Simple and Reliable, Designed for General Purposes

## TP-601A

Roller-Driven Table

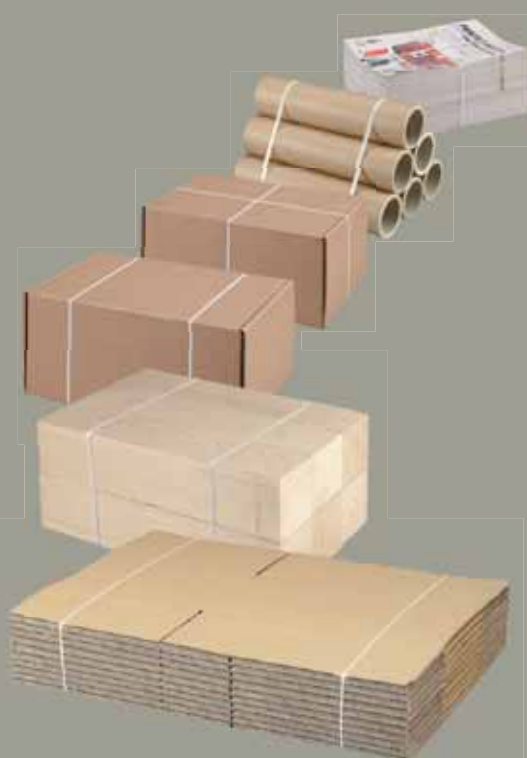
## TP-601B

Belt-Driven Table

## TP-601BP

Belt-Driven Table with Press

The Tauris series strapping machines are the simplest and most reliable strapping machines for general purposes application on the market today.



## TP-601A



## TP-601B



## TP-601BP



### Main Features



#### Auto Strap Feeding

Simply insert the strap into the feeding rollers from the coil side of the machine and then push the "reset" button. The machine will automatically feed itself without the need to access to the inside of the machine. No need to remove it from the line for strap feeding. Easy strap loading.



#### Electronic Tension Control

External adjustment of strap tension by the simple turn of a dial. Easy operation.



#### Auto Strap Ejector

Loop-eject clears unwanted strap automatically if the machine is accidentally activated without a package. Eliminates downtime.



#### Belt Transmission

Instead of using roller chain, belt transmission system ensures long operational life and quiet operation.



#### Hinged Top Plates

Opens wide for quick cleaning, inspection, and maintenance of strapping head, strap-feed and tensioning unit.

### More Features

#### Conveyor Speed

30 meter/minute

#### Multiple Strap Function

For single, double, continuous strapping or transit mode

#### Up and Down Stream Interlock

With complete plug connection

### Arch Sizes

H	W	850	1050	1250
400				
600	⊙			
800				
1000				

⊙ Standard size: 850 mm(W) x 600 mm(H)

### Options

- Siemens PLC control
- Variable Conveyor Speed: from 18 meter/minute to 42 meter/minute
- Stainless steel frame SUS 304 (TP-601AS, TP-601BS, TP-601BPS)

### Tauris Transit Technical Data

Strap Width: 8 mm-12 mm

Strap Tension: 7-70 kg

Speed: Up to 18 package per minute (60Hz)

Net Weight: 330 kg for TP-601A/TP-601B  
347 kg for TP-601BP

Electrical Requirements: 220V, 380V, 400V  
50/60Hz 3PH

Table height: 820 mm for TP-601A

825 mm for TP-601B/TP-601BP