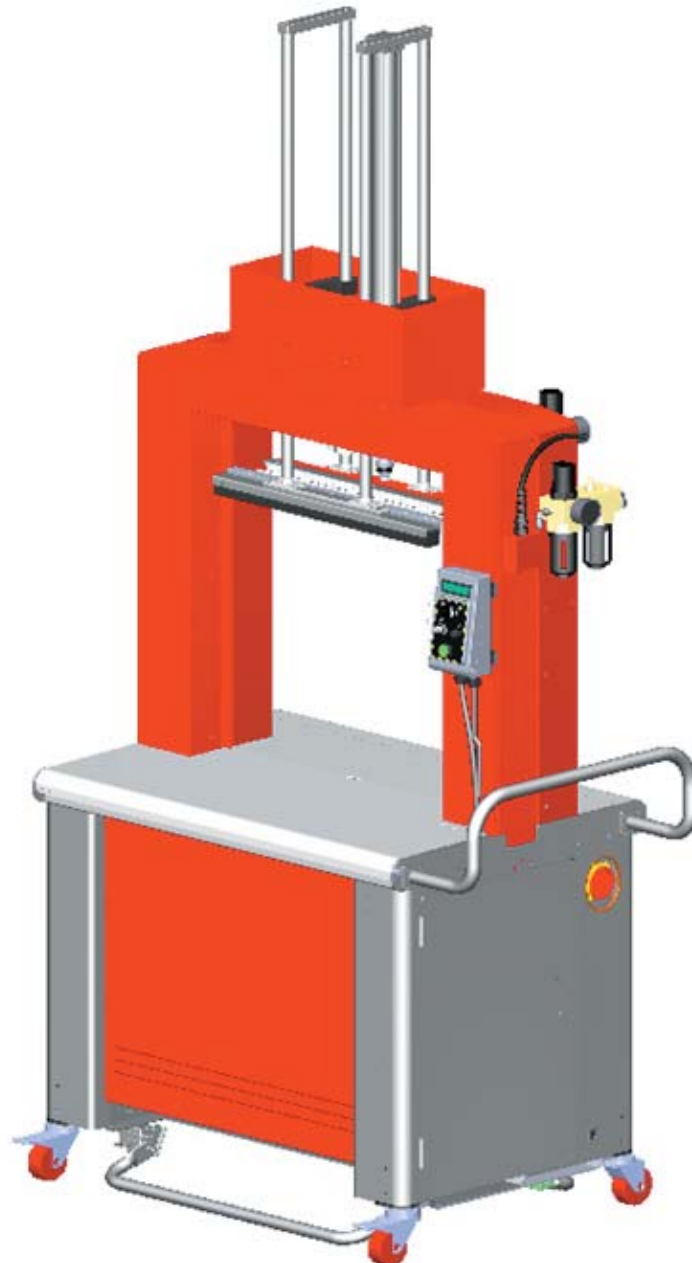


# AUTOMATIC

## STRAPPING MACHINE

**Mercury TP-702P**

**With dual Pneumatic Press**



To be available in the **end of September 2010.**

# TP-702P MERCURY

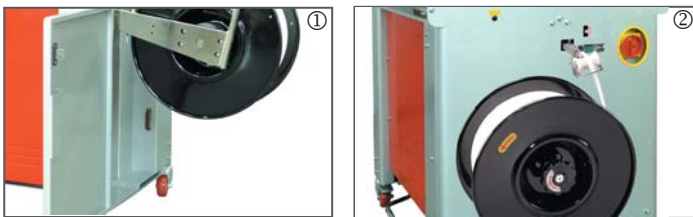
Mercury TP-702P (with dual press) is ideal to strap compressible material such as corrugated papers, paper sheets, plastic sheets, bags...etc.

## Main Features:

- **Dual Pneumatic Press**  
Offer better product stability and containment.
- **Robust & Compact Mechanical Strapping Head**  
The Mercury TP-702P uses the latest DC brushless motors technology to provide the highest level of accuracy and reliability.
- **Free Access to Strap Guides (patents registered)**  
Unblock the guides enabling free and quick access to the strap guides without the use of any tools.



- **Waist-high Quick Coil Change (patents registered) ①**  
Ergonomic and quick change design makes coil change simpler than ever.
- Waist-high Auto Strap Feeding ②**  
User friendly design. Easy strap loading.



- **Ergonomic Cycle Initiation**  
Easy Access Operating Control Panel ① and Foot Bar Switch ②



## Options:

- Photo-Eye Switch
- Rear Foot Bar Switch
- Lower Adjustable Table Height (770-820 mm)
- Max. tension up to 45 kg (for 9 mm)

## Arch Sizes:

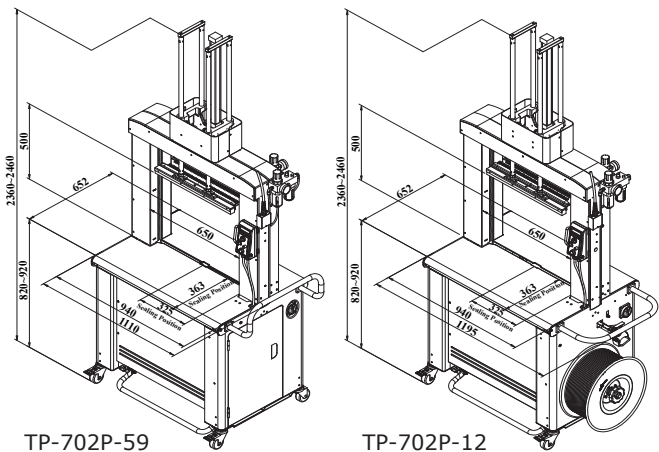
TP-702P-59 (for 5 mm, 6 mm, 9 mm strap)

H / W	650	850	1050	1250	1650
500	Ⓢ			✓	✓
600		✓			
800			✓	✓	

TP-702P-12 (for 12 mm strap)

H / W	650	850	1050	1250	1650
500	Ⓢ				✓
600		✓			
800			✓	✓	

- Standard size : 650 mm(W) x 500 mm(H)



TP-702P-59

TP-702P-12

### TP-702P TECHNICAL DATA

Strap Width: 5 mm, 6 mm, 9 mm, 12 mm  
 Strap Tension: 1-32 kg (5 mm, 6mm, 9 mm)  
 1-45 kg (12 mm)  
 Speed: TP-702P-59 47 straps per minute  
 TP-702P-12 44 straps per minute  
 Net Weight: 227 kg  
 Electrical Requirement: 110V, 220V, 230V  
 50/60Hz 1PH

All specifications subject to change without notice.



**TRANSPAK**  
TRANSPAK EQUIPMENT CORP.

15F-1, NO. 17, SEC. 1, CHENGDE ROAD, TAIPEI 103, TAIWAN

TEL : 886 2 2555 2515 FAX : 886 2 2555 2516

WEB : www.transpakcorp.com E-mail : transpak@transpak.com.tw

08.2010