

AUTOMATIC

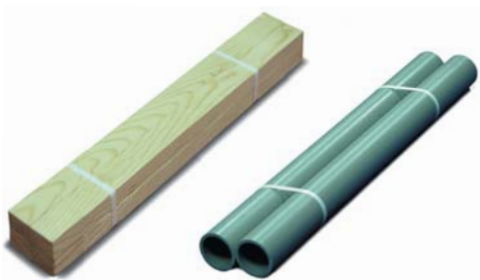
STRAPPING MACHINE

Mercury TP-702RS

For Small or Round Package



Speed
65 up to
straps
per
minute



TP-702RS MERCURY

Mercury TP-702RS is suitable for **small or round** packages of plastic pipes, steel rod, hardwood...etc. TP-702RS can strap packages as small as 40 mm(W) x 10 mm(H) or round package as small as \varnothing 32 mm x 2 pieces. The TP-702RS strapping machine provides reliable, high speed performance for small or round package applications.

Main Features:

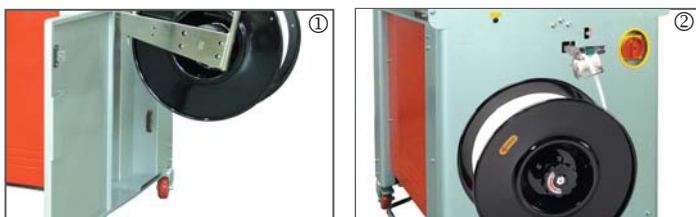
- **Robust & Compact Mechanical Strapping Head**
The Mercury TP-702RS uses the latest DC brushless motors technology to provide the highest level of accuracy and reliability.
- **Free Access to Strap Guides (patents registered)**
Unblock the guides enabling free and quick access to the strap guides without the use of any tools.



- **Waist-high Quick Coil Change (patents registered) ①**
Ergonomic and quick change design makes coil change simpler than ever.

Waist-high Auto Strap Feeding ②

User friendly design. Easy strap loading.



- **Ergonomic Cycle Initiation**

Easy Access Operating Control Panel ① and Foot Bar Switch ②

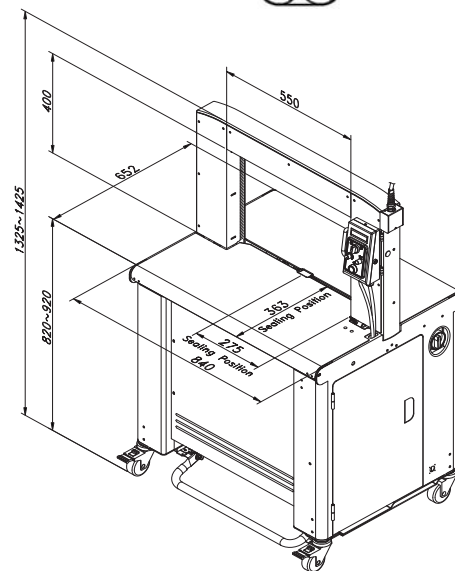
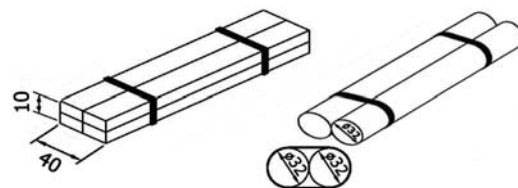


Options:

- Photo-Eye Switch
- Rear Foot Bar Switch
- Max. tension up to 45 kg (for 9 mm)

Package Sizes:

Package size Strap width	Min.	Max.
5/6 mm	<input type="checkbox"/> 40 mm(W) x 10 mm(H) <input type="checkbox"/> Pipe \varnothing 32 mm x 2pcs	500 mm(W) x 350 mm(H)
9 mm	<input type="checkbox"/> 50 mm(W) x 10 mm(H) <input type="checkbox"/> Pipe \varnothing 34 mm x 2pcs	



TP-702RS TECHNICAL DATA

Speed per Minute: 65 straps
 Arch Size: 550mm (W) x 400mm (H)
 Strap Width: 5 mm, 6 mm, 9 mm P.P. strap
 Strap Tension: 1-32 kg
 Net Weight: 157 kg
 Electrical Requirement: 110V, 220V, 230V
 50/60Hz 1PH

All specifications subject to change without notice.



TRANSPAK
TRANSPAK EQUIPMENT CORP.

15F-1, NO. 17, SEC. 1, CHENGDE ROAD, TAIPEI 103, TAIWAN

TEL : 886 2 2555 2515 FAX : 886 2 2555 2516

WEB : www.transpakcorp.com E-mail : transpak@transpak.com.tw

08.2010