

FULLY-AUTO PALLET STRAPPING MACHINE

Fully-Auto Pallet Strapping Machine for Horizontal Applications, Friction Weld Sealing Technology

Castor TP-703H



TP-703-SH Strapping Head

Designed for reliable, low maintenance operation



TP-703H

Made in Taiwan

CE



TP-703H CASTOR

The TP-703H fully automatic strapping machine is designed for packaging applications that require horizontal strapping. It secures pallet loads and stacked boxes by horizontal strapping with P.P. and PET straps. The TP-703H can accommodate a wide variety of products and can be easily integrated with new or existing conveyor lines. With the user-friendly and state of the art designs, Transpak TP-703H helps maximize uptime for greater production efficiency and lower packaging cost.

Main Features:

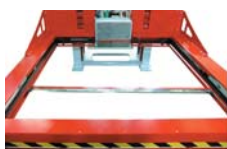
- Robust mechanism design and high engineering standard strapping head (TP-703-SH)



- Siemens PLC control and Touch Screen. Easy TEACH-IN programming. 10 strapping patterns with up to 10 different strapping positions



- Strap guide arm to ensure precise strap positioning to the load



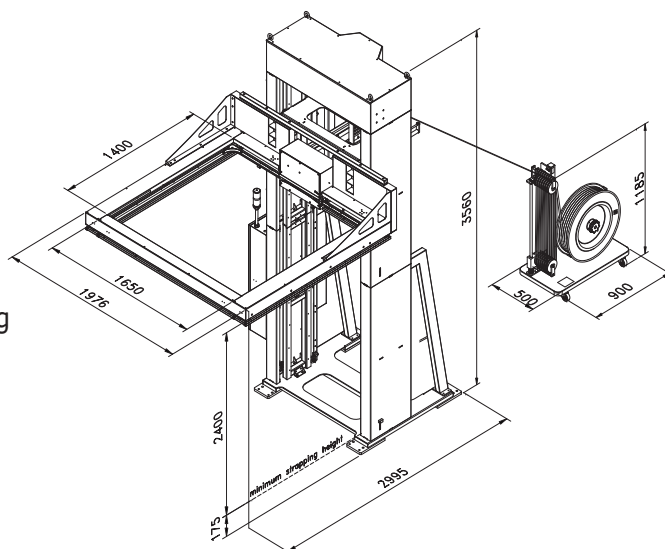
- Safety rack underneath the arch to ensure highest safety



- Index strapping head, movable towards the package with stroke of max. 400 mm
- **Friction weld sealing** technology guarantees reliable joint and high sealing efficiency, tension up to 3000 N (300 kg)
- Vertical strapping arch movement with inverter to avoid vibrations
- Adjustable sealing time and cooling time guarantee the high seal efficiency

Options:

- Free standing operating desk
- Failure indicator
- Safety fence (2 sides & back)
- Safety fence (4 sides)
- Lower tension 200-1200 N (20-120 kg)



TP-703H TECHNICAL DATA

Strap Type: P.P. and PET straps
Strap Width: 9 mm, 12 mm, 15.5 mm
Dispenser: 406 mm core size
Strap Tension: 1100-3000 N (standard)
200-1200 N (option)
Speed: 8.5 seconds per strap, depends on package dimensions
Minimum strapping height:
60 mm above conveyor surface,
185 mm above the floor
Power: 220V, 380V, 400V 50/60Hz 3PH

All specifications subject to change without notice.