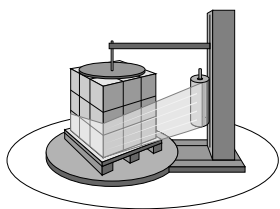


Rotating arm

A fully automatic machine for incorporation into transport routes, possibly even autonomous placement. The machine is designed for operations with a higher capacity of packing and high demands on the wrapping, that guarantees perfect fixation of goods on the pallet at minimum consumption of foil and for packing light goods where the dynamic forces exerted on the pallet during a classic manner of packing of a rotating pallet would result in moving or spillage of goods.



High productivity is made possible by the wrapping technology during which the packed pallet is not rotated as with standard machines but is wound with a rotating foil.

The drawing device moves in the vertical direction along the lead of the rotating arm that is fastened to the solid part of the machine using a massive pin. The rotating arm is driven by a worm gearbox and gear transmission.

This machine has a high ratio of its useful value to price thanks to its simple construction.

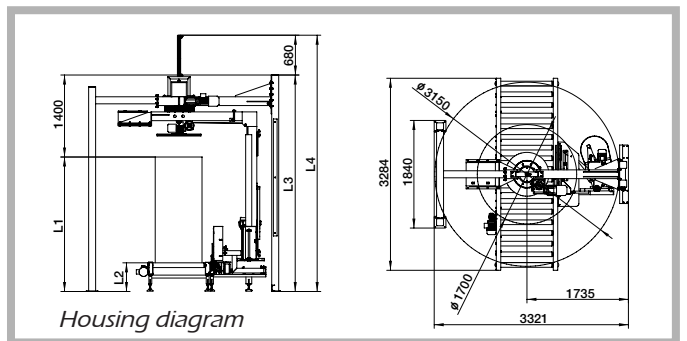
WRA

Rotating arm



Technical data	
Arm revolutions	20 1/min
Packed goods dimensions	max. diagonal 1700mm
Max. capacity(goods height 1800 mm)	40 pallet/hr.
Input	2 kW
Compressed air feed	0,6 Mpa
Air consumption	2l/cyklus

The manufacturer reserves the right to change technical parameters.



Housing diagram

Foil drawing device

The packing machine is equipped with a single-motor foil drawing machine. Primary prestretching may be changed by exchanging the gear between the drawing cylinders that is realised by a cogged belt. Secondary prestretching may be changed from the control system.

Control system

The wrapping machine is equipped with a control system that is controlled from the operator panel. The control system allows for defining up to 20 packing programs. The automatic cycle of the machine can be run from the control panel of the machine or, if the machine is put into a fully automatic line, the cycle is run by the control system of the line depending on the movement of the packed goods along the line. The control system is equipped with a machine error reporting module. This system allows the user to easily find the cause of machine stoppage.

Ending device

The ending device that catches and penetrates the foil at the end of the packing cycle is a standard equipment of the machine. It presses the foil to the packed goods at the same time. During the departure of the pallet, the foil is torn apart and its rest is smoothed to the pallet. This manner of ending allows for departure of the pallet in only one way with respect to the ending device.

The machine may be equipped with a device for welding the last two layers of foil. This device also separates the foil and catches the end of the foil. Both these devices are driven by compressed air.

Covering device - top sheet applicator

The mechanism of the top covering allows for covering the top area of a pallet with protective foil and perform dust-tight and water-tight covering of the pallet. The device may be placed directly as a part of the packing machine, when it allows for performing dust-tight and water-tight covering of a pallet but lowers the maximum packing capacity of packing or it can be placed in front of the actual packing machine, when it only allows for performing dust-tight pallet cover.

Top platen

The machine may be equipped with a mechanism of a holder of unstable goods. It is a pneumatic device that is extracted from the main pin of the packing machine.

Lifting device

This additional device allows to perform under-covering of the pallet and thus improve the fixing qualities of the wrapping between the packed goods and the pallet.

Fencing

The machine may be equipped with a protective fence preventing the operator to enter the area of the machine during wrapping.

Queuing of machines into lines

The company supplies various peripherals, e.g. roller and chain transport routes, turntables inserted into transport routes, for the wrapping machine within the scope of a complex solution.

