

# Fully Automatic Strapping Machine

Designed Specifically for the Commercial Printing and Newspaper Applications

## TP-701NS SINGLE



15F-1, NO. 17, SEC. 1, CHENGDE ROAD, TAIPEI 103, TAIWAN  
TEL: 886 2 2555 2515  
FAX: 886 2 2555 2516  
WEB: www.transpakcorp.com  
E-mail: transpak@transpak.com.tw

Made in Taiwan

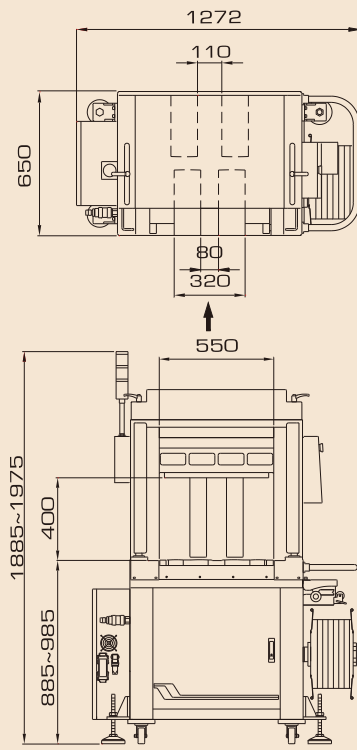
04.2010x2000

### Main Features:

Refer to TP-711NT

### Options

- Operator friendly low strap sensor (triple lamp)
- Soft press for convex bundles
- Press bar for concave bundles
- Lower adjustable table height between 815 mm and 890 mm
- Automatic side squaring



### TP-701NS Technical Data

#### Capacity

Single Strapping up to 35 bundle/minute  
Parallel Strapping up to 20 bundle/minute

#### Bundle Size

Width	max	500 mm
	min	150 mm
Length	min	150 mm
Height	max	380 mm
	min	10 mm

**Bundle Weight** 35 kg

**Strap Tension** 1-35 kg

#### Electrical Requirements

110V, 220V, 230V, 240V, 380V, 400V 50/60 Hz,  
1 PH or 3 PH

**Net Weight** 352 kg



All specifications are subject to change without notice.



## TP-711N



The TP-711N is an economical all-round fully automatic strapping machine, designed specifically for the printed media industry. It is suitable for newspaper, magazine, commercial, circular and mail order.

The simple design of TP-711N offer all the functionality you need and it is the most cost effective option for you. In this category, we have two models:

- Tandem machine TP-711NT
- Single machine TP-701NS

# PRINTED MEDIA STRAPPING MACHINE

# Fully Automatic Cross Strapping Machine

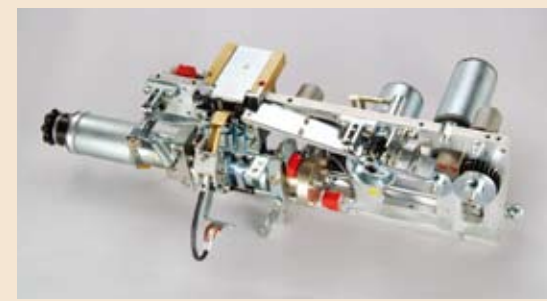
Designed Specifically for the Commercial Printing and Newspaper Applications

## TP-711NT TANDEM



### Main Features:

- Patented automatic tension control for various bundle dimensions
- Up and down stream interlock with complete plug connection
- Fully automatic operation with variable conveyor speed
- Siemens PLC control
- Light tree alarm (dual lamp)
- Patented jammed-strap ejection device
- Adjustable compression system
- Strap end detection and ejection
- Automatic strap loop ejection when machine strap without bundle
- Adjustable table height between 885 mm and 930 mm



#### Compact Mechanical Strapping Head

The TP-711NT uses the latest multi DC brushless motor technology to provide the highest level of accuracy currently available in the strapping machine industry.

With 30% fewer parts than comparable strapping machines, this machine requires fewer adjustments, has fewer wear components and requires less maintenance. The simple design of this machine makes maintenance training far easier than ever.



#### Waist-High Auto Strap Feeding

Friendly design to feed the strap automatically from the upper side of the coil without the need to access the bottom of the machine.



#### Bundle Rotating Turntable

Dynamic gripping design to secure the integrity of the bundle for cross strapping.



#### Adjustable Bundle Stops

Easy Adjustment for bundle length to provide a positive bundle stop position and strapping placement.



#### Siemens Touch Panel

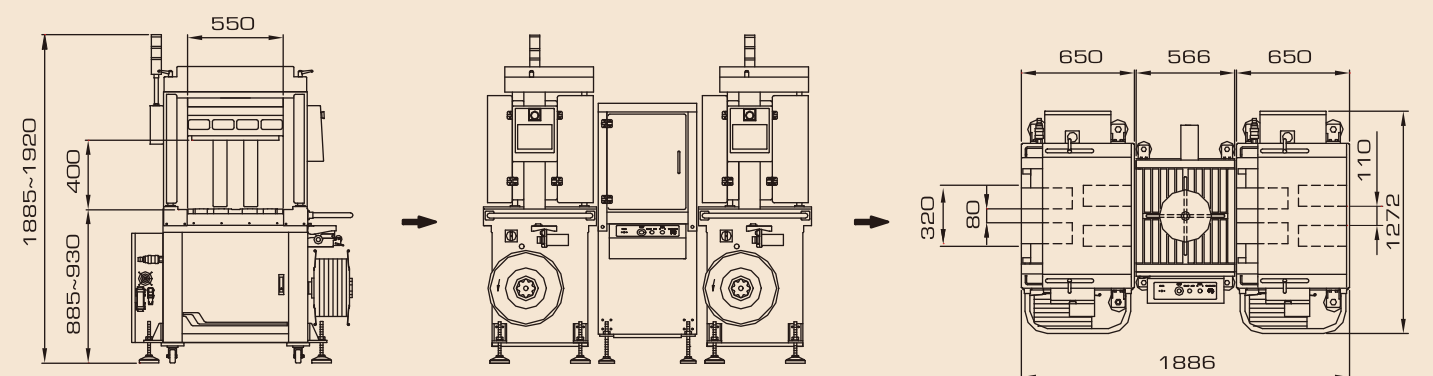
Provides easy adjustment, operating instructions and troubleshooting guides. User friendly.

### TP-711NT Technical Data

<b>Capacity</b>		<b>Bundle Weight</b>	max 25 kg
Single Strapping	up to 35 bundle/minute	<b>Strap Size</b>	5 mm, 6 mm, and 9 mm P.P. strap
Parallel Strapping	up to 33 bundle/minute	<b>Strapping Tension</b>	1-35 kg
Cross Strapping	up to 30 bundle/minute	<b>Strap Coil</b>	200 mm (150 mm optional)
<b>Bundle Size</b>		<b>Electrical Requirements</b>	110V, 220V, 230V, 240V, 380V, 400V 50/60 Hz, 1 PH or 3 PH
<b>Parallel Strapping</b>		<b>Power Consumption</b>	2.2 kW
Width	max 500 mm	<b>Pneumatic Source</b>	6 bar
	min 150 mm	<b>Air Consumption</b>	20.7 liter/cycle
Length	min 150 mm	<b>Conveyor Speed</b>	10 – 60 m/minute
Height	max 380 mm	<b>Net Weight</b>	904 kg
	min 10 mm		
<b>Cross Strapping</b>			
Bundle Diagonals	max 510 mm		
Width x Length	min 180x180 mm		
Height	max 380 mm		
	min 10 mm		

### Options

- Operator friendly low strap sensor (triple lamp)
- Soft press for convex bundles
- Press bar for concave bundles
- Lower adjustable table height between 815 mm and 890 mm
- Automatic side squaring



## TP-701NAD

Two TP-701NS single strapping machines combine with N-AD 90° or N1-AD 90°/180° Angle Diverter for cross/parallel strapping.

- Suitable for slippery bundles
- Multiple infeed and outfeed directions (N1-AD)

